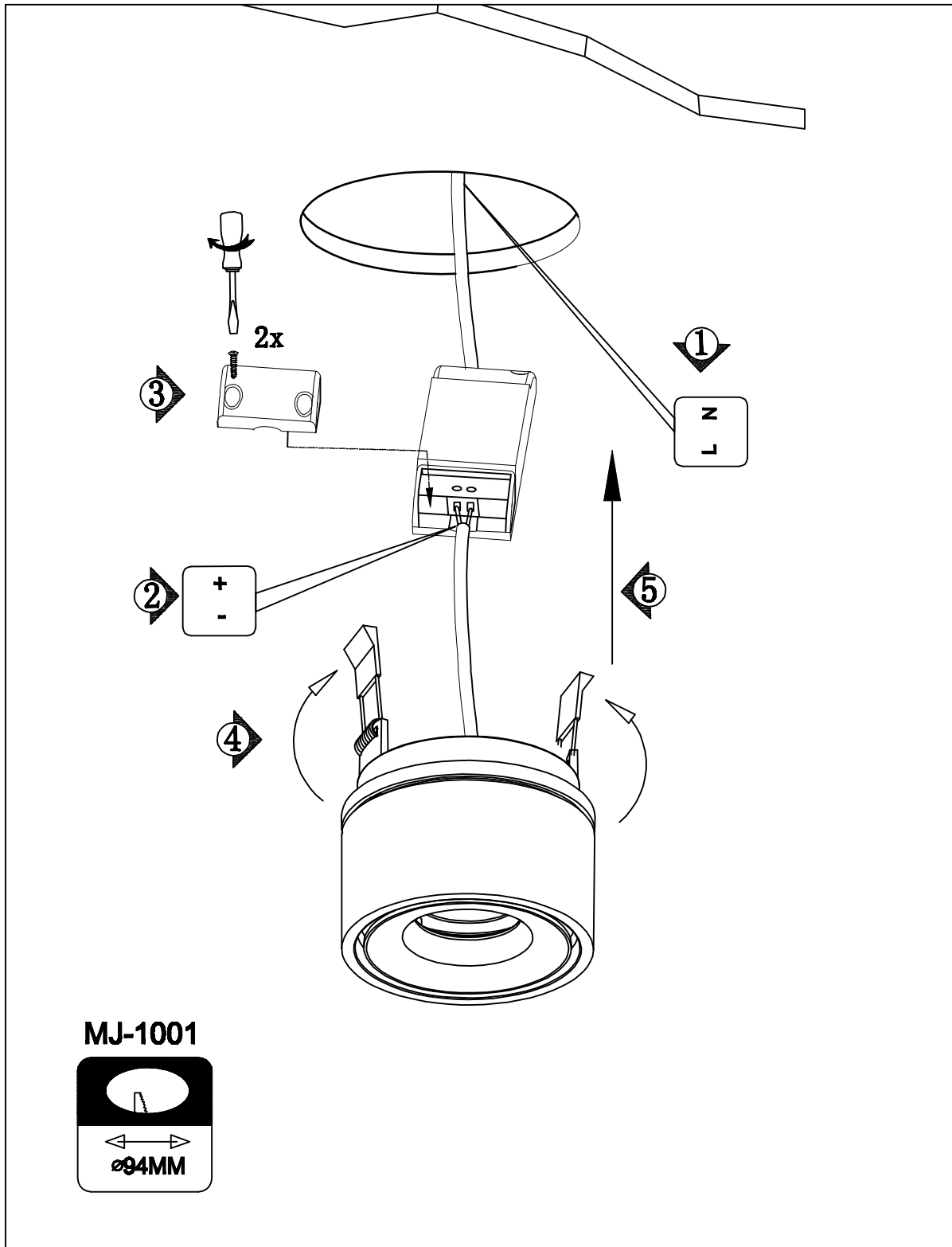


ATTENTION: FOR THIS OPERATION YOU HAVE TO CUT OFF THE POWER

MAXIMUM
220-240V~ 50/60Hz LED 13W



MJ-1001

